



Electrolux

Factory Parts Catalog

Product No.	E30MO65GSSA
Series	convection
Market	North America
Color	stainless steel
Volts	120
Watts	900
Wiring Diagram	5304461201
Owner's Guide	5304461201
Installation Instructions	5304461201

Electrolux

Electrolux Major Appliances
 North & Latin America
 P.O. BOX 212378
 AUGUSTA, GA 30917

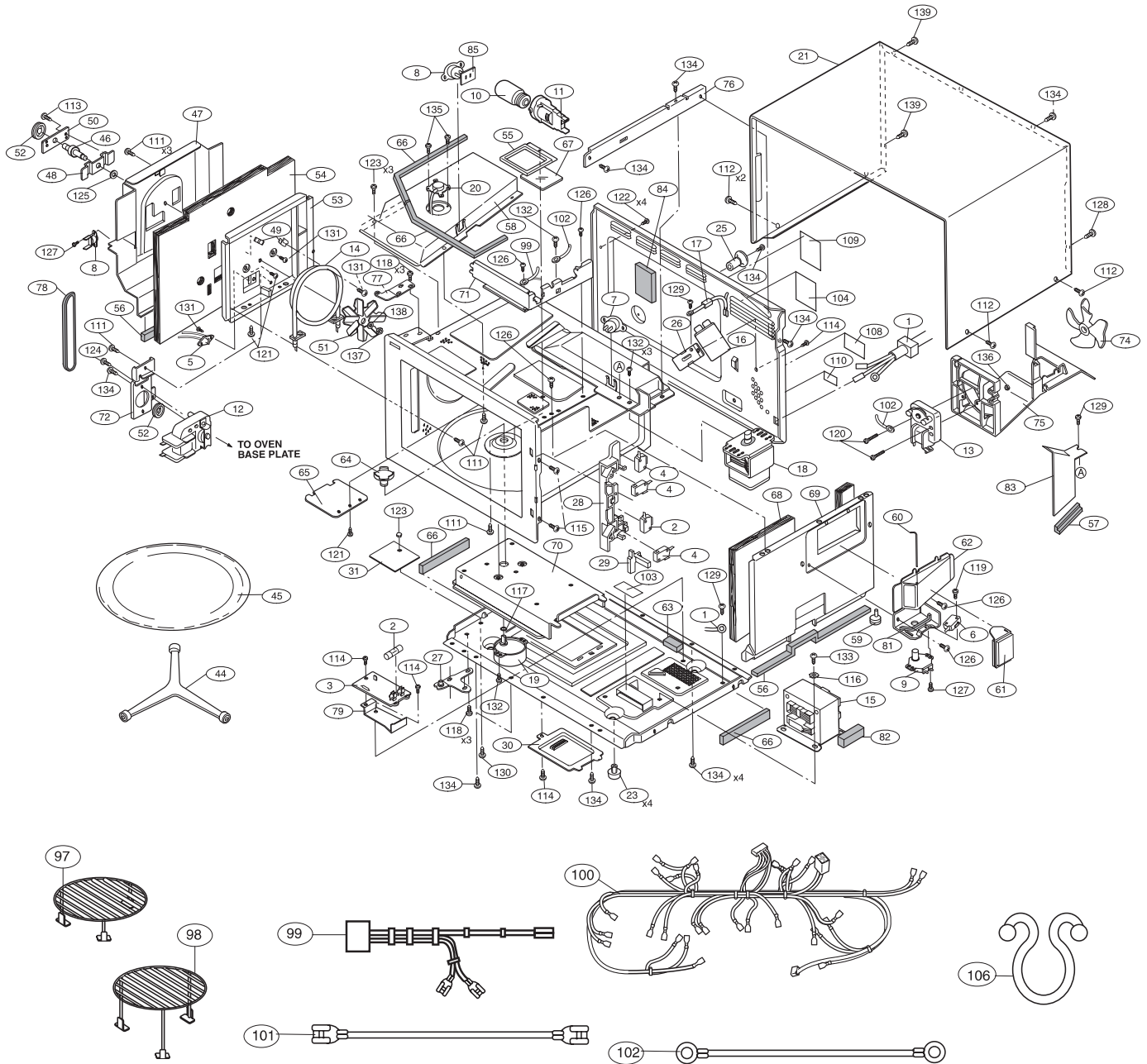
Publication No.
5995489001
 07/04/17
 (EN/SERVICE/ECL)
 099

COUNTER-TOP MICROWAVE

Model No.
E30MO65G

Copyright © 2007 Electrolux Home Products, Inc.
 All rights reserved.

OVEN, CABINET

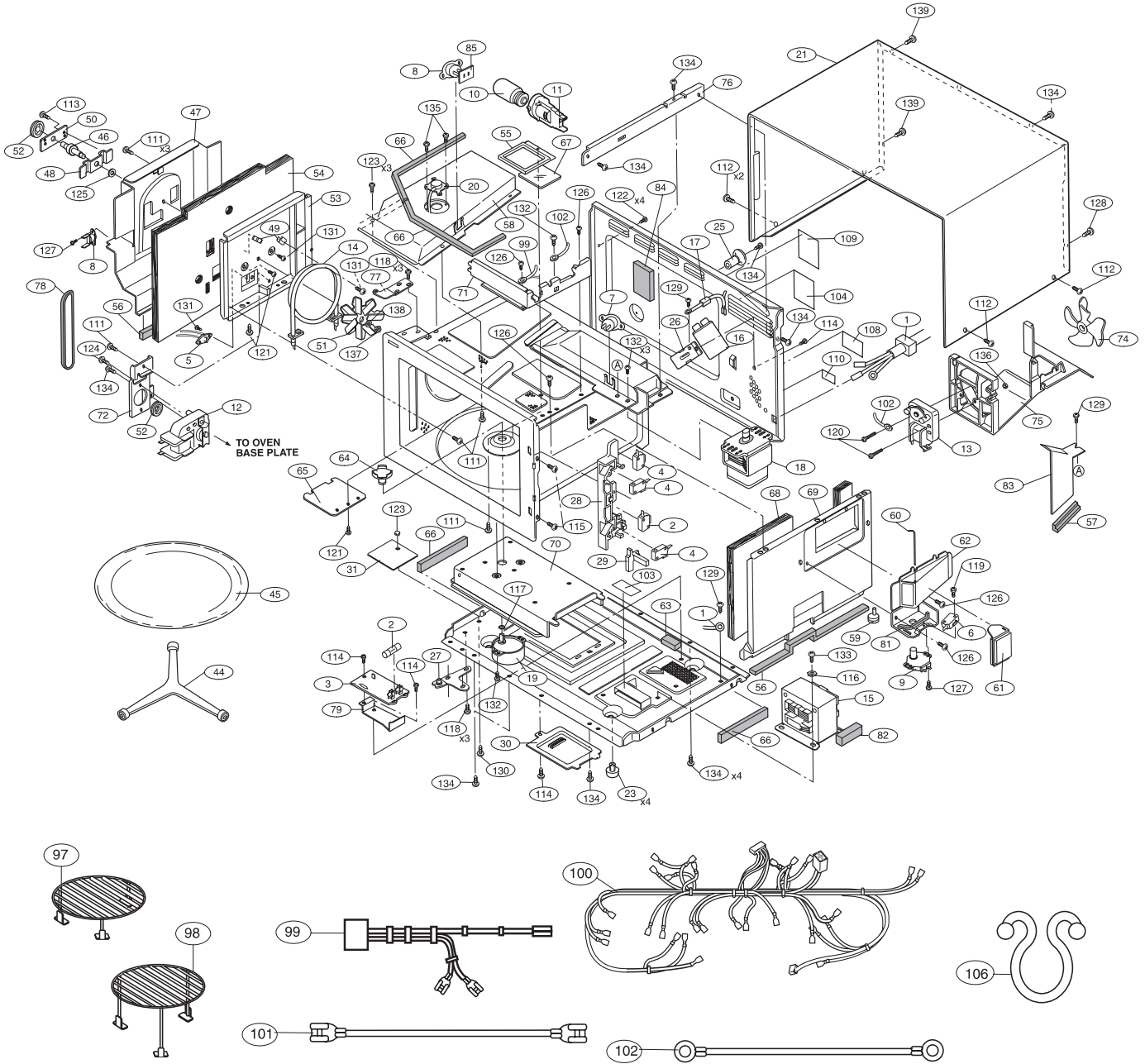


E30M065GSS Cabinet

OVEN,CABINET

POS. NO	PART NO.	DESCRIPTION
1 #	5304461108	Cord, power
2 #	5304461109	Assembly, fuse & switch, monitor
3 #	5304461110	Filter, noise
4 #	5304461111	Switch, micro, (3)
5 #	5304461112	Thermistor
6 #	5303319558	Switch, damper, (1)
7 #	5304461113	Thermal Cut-Out, magnetron
8 #	5304461114	Thermal Cut-Out, convection/oven, (2)
9 #	5304461115	Motor, damper
10 #	5304461116	BULB, oven lamp
11 #	5304461117	Socket, oven lamp
12 #	5304461118	Motor, convection fan
13 #	5304461119	Motor, fan
14 #	5304461120	Element, convection
15 #	5304461121	Transformer, power
16 #	5303319549	Capacitor, high voltage
17 #	5304461122	Rectifier, high voltage
18 #	5304461123	Magnetron
19 #	5304461124	Motor, turntable
20 #	5304461125	Sensor Assembly, AH
21	5304461126	Cabinet, outer
23	5304461127	Foot, cabinet, (4)
25	5304461128	Holder, power cord
26	5304461129	Holder, capacitor
27	5304461130	Hinge, door, lower
28	5304461131	Hook, latch
29	5304461132	Lever, switch
30	5304461133	Cover, turntable motor
31	5304461134	Barrier, CSA
44	5304461144	Support, turntable
45	5304461145	Tray, turntable
46	5304461146	Bearing Assembly
47	5304461147	Plate, thermal protect, LH
48	5304461148	Plate, bearing mtg
49	5304461149	Holder, element
50	5304461150	Plate, bearing holder
51	5304461151	Fan Blade, convection
52	5304461152	Pulley, (2)
53	5304461153	Duct Assembly, heater
54	5304461154	Sheet, thermal protect, LH
55	5304461155	Frame, light lens
56	5304461156	Cushion, (2)
57	5304461157	Cushion
58	5304461158	Duct Assembly, steam release
59	5304461159	Cam, damper
60	5304461160	Shaft, damper
61	5304461161	Door Assembly, damper
62	5304461162	Duct, damper
63	5304461163	Cushion
64	5304461164	Coupling, turntable
65	5304461165	Cover, waveguide

OVEN, CABINET

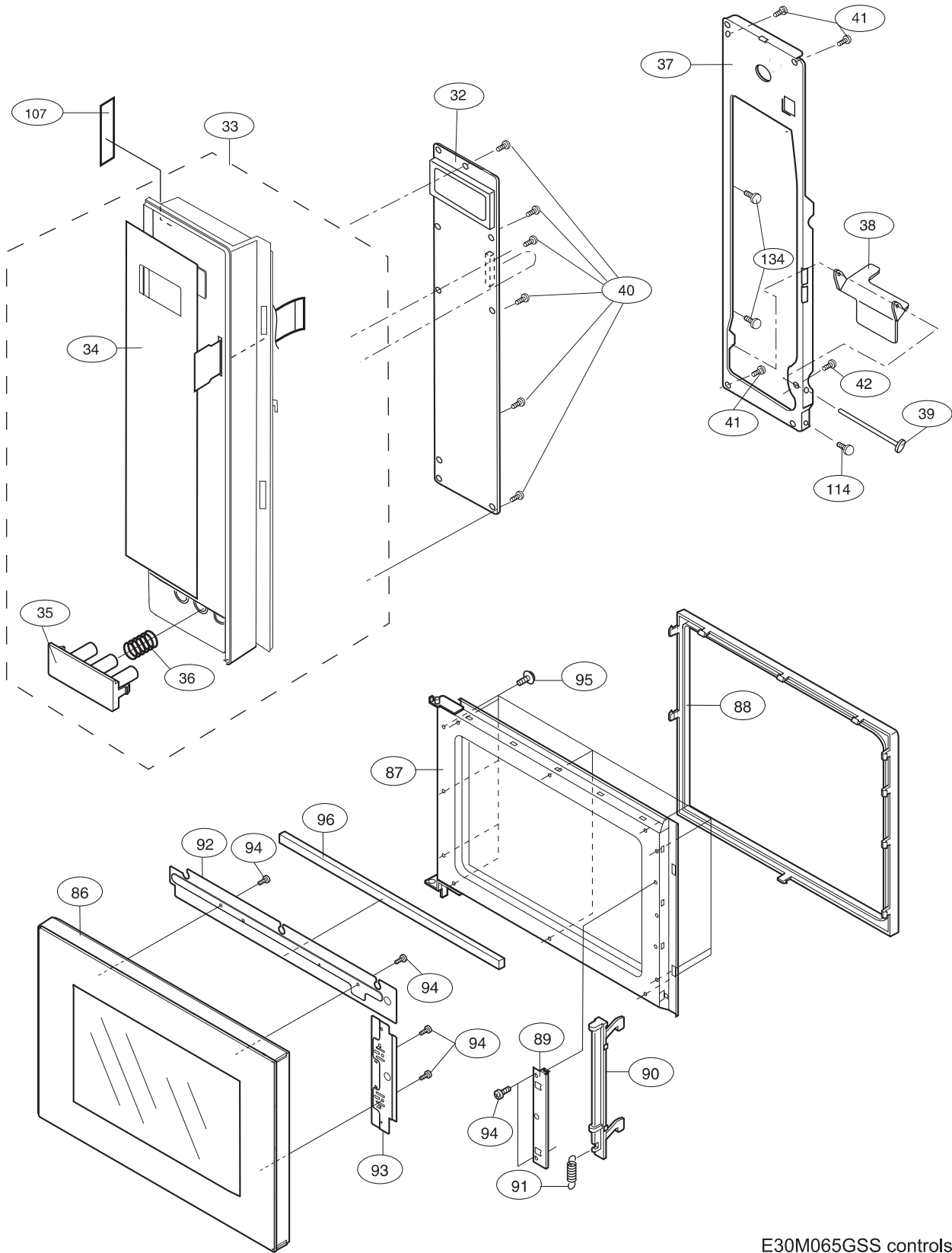


E30M065GSS Cabinet

OVEN,CABINET

POS. NO	PART NO.	DESCRIPTION
66	5304461166	Cushion, (4)
67	5304461167	Lens, light
68	5304461168	Sheet, thermal protect, RH
69	5304461169	Plate, thermal protect, RH
70	5304461170	Guide, air, bottom
71	5304461171	Guide, air, RH
72	5304461172	Plate, motor mtg, convection
74	5304461173	Blade, fan
75	5304461174	Duct, cooling fan
76	5304461175	Support, chassis
77	5304461176	Hinge, door, upper
78	5304461177	Belt, convection fan
79	5304461178	Angle, noise filter
81	5304461179	Cushion, damper duct
82	5304461180	Cushion
83	5304461181	Guide, air, magnetron
84	5304461182	Sheet, thermal protect
85	5304461183	Cover, thermo
97	5304461194	Rack Assembly, broiling trivit, low
98	5304461195	Rack Assembly, baking, high
99 #	5304461196	Harness, thermistor
100#	5304461197	Harness, wiring, main
101#	5304461198	Wiring, high voltage, B
102	5304461199	Wiring, ground, cooling fan
103	5304461200	Label, monitor caution
104	5304451533	Label, NHW caution
106	5304451529	Clip, wire harness, plastic, LL
108	5304451535	Label, height caution
109	5304440333	Label, Caution-DHHS
110	5304453941	Label, caution, UL screw
111	5304461203	Screw, 4mm x 10mm, (14)
112	5304440340	Screw, 4mm x 12mm
113	5304461204	Screw, 4mm x 8mm, (2)
114	5304440872	Screw, 4mm x 8mm
115	5303319641	Screw
116	5304461205	Washer, 6mm x .7mm
117	5304461206	Washer
118	5304461207	Screw, special, (6)
119	5304461208	Screw, 3mm x 14mm
120	5304461209	Screw, 4mm x 25mm, (2)
121	5304461210	Screw, 4mm x 6mm, (7)
122	5304461211	Screw, 4mm x 8mm, (7)
123	5304461212	Nut, special
124	5304461213	Screw, 4mm x 6mm, (2)
125	5304461214	Washer
126	5304461215	Screw, 4mm x 8mm, (6)
127	5304461216	Screw, 3mm x 6mm, (3)
128	5303319639	Screw, wrapper, back
129	5304461217	Screw, 4mm x 8mm, (3)
130	5304461218	Screw, 4mm x 6mm
131	5304461219	Screw, 3mm x 6mm, (4)
132	5304461220	Screw, 4mm x 8mm, (6)
133	5304461221	Screw, 6mm x 14mm, (2)
134	5303318767	Screw, 4mm x 12mm
135	5304461222	Screw, 3mm x 8mm, (2)
136	5304461223	Nut, 4mm x 3.2mm, (2)
137	5304451547	Nut, element, 4 mm x 3.2 mm, (4)
138	5304461224	Washer, 4mm x 1mm
139	5304440873	Screw, torx head, tamper proof
*	5304461201	Owners Manual

CONTROL PANEL, DOOR, MISC.



E30M065GSS controls

CONTROL PANEL,DOOR,MISC.

POS. NO	PART NO.	DESCRIPTION
32 #	5304461135	Control Board
33 #	5304461136	Frame, control panel, w/key unit
34 #	5304461137	Keying Unit
35	5304461138	Button, door
36	5304440831	Spring, door button
37	5304461139	Plate, control panel, back
38	5304461140	Lever, door button
39	5304461141	Shaft, door button
40	5303319584	Screw, control panel, 3 mm x 10 mm
41	5304461142	Screw, back plate mtg, (5)
42	5304461143	Screw, cntl panel mtg, (2)
86	5304461184	Frame Assembly, outer door
87	5304461185	Door Panel, inner
88	5304461186	Cover, choke
89	5304461187	Angle, latch
90	5304461188	Head, latch
91	5304461189	Spring, latch head
92	5304461190	Plate, thermal, upper
93	5304461191	Plate, thermal, RH
94	5304451561	Screw, 4 mm x 8 mm
95	5304461192	Screw, 3mm x 8mm, (12)
96	5304461193	Cushion
107	5304461202	Label, User Caution
114	5304440872	Screw, 4mm x 8mm
134	5303318767	Screw, 4mm x 12mm

WIRING SCHEMATIC

